



Message Implementation Guideline

PRICAT_MediaSaturn

based on

PRICAT

Price/sales catalogue message

UN D.93A S3

Version: v1.6

Variant: MSH

Issue date: 13.09.2017

Author: Fusenig/Senner

Table of Contents

| | |
|---------------------------|----|
| 0 History of Changes..... | 3 |
| 1 Message Structure..... | 4 |
| 2 Branching Diagram | 6 |
| 3 Segments | 14 |
| 4 Example | 52 |

History of Changes

| Version | Date | Subject | Content / Trigger of Change | Responsible Person |
|---------|------------|----------|---|-----------------------|
| 1.0 | 29.05.2015 | creation | initial creation | Gertrud Fusenig (SA2) |
| 1.1 | 19.08.2013 | change | added SalesDepartment, Manufacturer Product number, corrected GPC Value mapping | Robert Senner |
| 1.2 | 11.11.2014 | change | changed Codes in SG33 PIT 1229 (not EANCOM compliant Codes) | Robert Senner |
| 1.3 | 14.10.2015 | change | changed Qualifier in SG35 PRI+INF for Pricecode (COD) | Robert Senner |
| 1.4 | 07.10.2016 | change | added lead time SG16, SG33 DTM+199 | Robert Senner |
| 1.5 | 10.05.2017 | change | added manufacturer number (Phononet-ID) on position level: FTX+AAI | Robert Senner |
| 1.6 | 13.09.2017 | change | added tax rate in percentage (TAX+7+...+91) and hazardous information | Robert Senner |

No = Consecutive segment number

St = Status
 EDIFACT: M=Mandatory, C=Conditional
 User specific: R=Required, O=Optional, D=Dependent,
 A=Advised, N=Not used

Structure / Table of Contents

| Counter | No | Tag | St | MaxOcc | Level | Content |
|---------|----|-------------|----|--------|-------|--|
| 0000 | 1 | UNA | C | 1 | 0 | SERVICE STRING ADVICE |
| 0000 | 2 | UNB | M | 1 | 0 | INTERCHANGE HEADER |
| 0010 | 3 | UNH | M | 1 | 0 | Message header |
| 0020 | 4 | BGM | M | 1 | 0 | Beginning of message |
| 0030 | 5 | DTM | M | 35 | 1 | Date/time/period |
| 0090 | | SG2 | C | 20 | 1 | NAD |
| 0100 | 6 | NAD | M | 1 | 1 | Name and address |
| 0210 | | SG6 | C | 5 | 1 | CUX |
| 0220 | 7 | CUX | M | 1 | 1 | Currencies |
| 0530 | | SG16 | C | 1000 | 1 | PGI-SG25-SG33 |
| 0540 | 8 | PGI | M | 1 | 1 | Product group information |
| 0850 | | SG25 | C | 20 | 2 | NAD |
| 0860 | 9 | NAD | M | 1 | 2 | Name and address |
| 1120 | | SG33 | C | 200000 | 2 | PIT-PIA-PIA-PIA-PIA-IMD-IMD-IMD-IMD-QTY-DTM-DTM-DTM-FTX-FTX-SG34-SG34-SG35-SG35-SG35 |
| 1130 | 10 | PIT | M | 1 | 2 | Price item line |
| 1140 | 11 | PIA | C | 10 | 3 | Additional product id |
| 1140 | 12 | PIA | C | 10 | 3 | Additional product id |
| 1140 | 13 | PIA | C | 10 | 3 | Additional product id |
| 1140 | 14 | PIA | C | 10 | 3 | Additional product id |
| 1150 | 15 | IMD | C | 10 | 3 | Item description |
| 1150 | 16 | IMD | C | 10 | 3 | Item description |
| 1150 | 17 | IMD | C | 10 | 3 | Item description |
| 1150 | 18 | IMD | C | 10 | 3 | Item description |
| 1170 | 19 | QTY | C | 10 | 3 | Quantity |
| 1200 | 20 | DTM | C | 10 | 3 | Date/time/period |
| 1200 | 21 | DTM | C | 10 | 3 | Date/time/period |
| 1200 | 22 | DTM | C | 10 | 3 | Date/time/period |
| 1210 | 23 | FTX | C | 5 | 3 | Free text |
| 1210 | 24 | FTX | C | 5 | 3 | Free text |
| 1220 | | SG34 | C | 5 | 3 | TAX-MOA |
| 1230 | 25 | TAX | M | 1 | 3 | Duty/tax/fee details |
| 1240 | 26 | MOA | C | 1 | 4 | Monetary amount |
| 1220 | | SG34 | C | 5 | 3 | TAX |
| 1230 | 27 | TAX | M | 1 | 3 | Duty/tax/fee details |
| 1250 | | SG35 | C | 100 | 3 | PRI-DTM-DTM |
| 1260 | 28 | PRI | M | 1 | 3 | Price details |
| 1290 | 29 | DTM | C | 5 | 4 | Date/time/period |
| 1290 | 30 | DTM | C | 5 | 4 | Date/time/period |
| 1250 | | SG35 | C | 100 | 3 | PRI-DTM-DTM |
| 1260 | 31 | PRI | M | 1 | 3 | Price details |
| 1290 | 32 | DTM | C | 5 | 4 | Date/time/period |
| 1290 | 33 | DTM | C | 5 | 4 | Date/time/period |
| 1250 | | SG35 | C | 100 | 3 | PRI-DTM-DTM |
| 1260 | 34 | PRI | M | 1 | 3 | Price details |

Counter = Counter of segment/group within the standard
 No = Consecutive segment number
 MaxOcc = Maximum occurrence of the segment/group

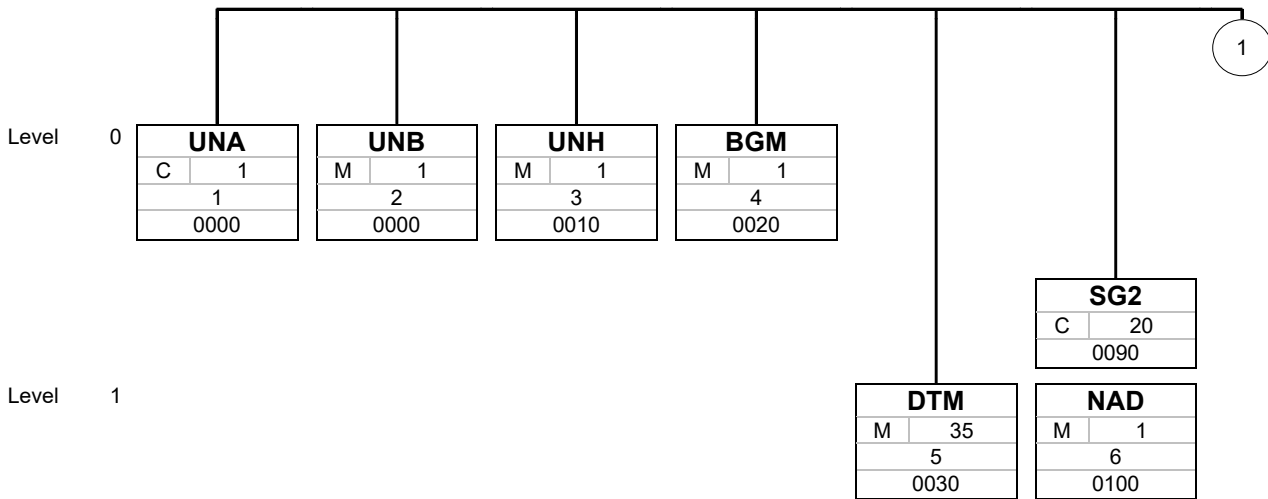
St = Status
 EDIFACT: M=Mandatory, C=Conditional
 User specific: R=Required, O=Optional, D=Dependent,
 A=Advised, N=Not used

| Counter | No | Tag | St | MaxOcc | Level | Content |
|---------|----|------------|----|--------|-------|---------------------|
| 1290 | 35 | DTM | C | 5 | 4 | Date/time/period |
| 1290 | 36 | DTM | C | 5 | 4 | Date/time/period |
| 1660 | 37 | UNT | M | 1 | 0 | Message trailer |
| 0000 | 38 | UNZ | M | 1 | 0 | INTERCHANGE TRAILER |

Counter = Counter of segment/group within the standard
No = Consecutive segment number
MaxOcc = Maximum occurrence of the segment/group

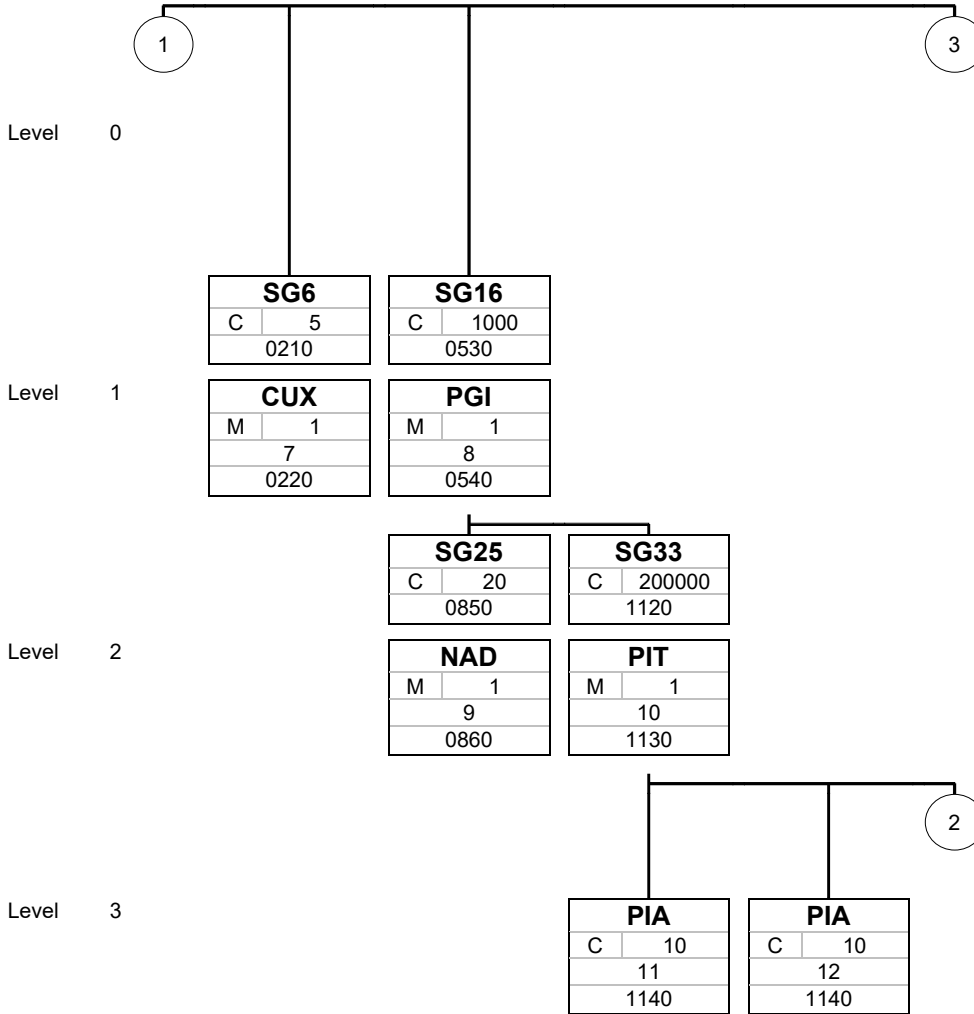
St = Status
EDIFACT: M=Mandatory, C=Conditional
User specific: R=Required, O=Optional, D=Dependent,
A=Advised, N=Not used

Branching Diagram of Used Segments/Groups



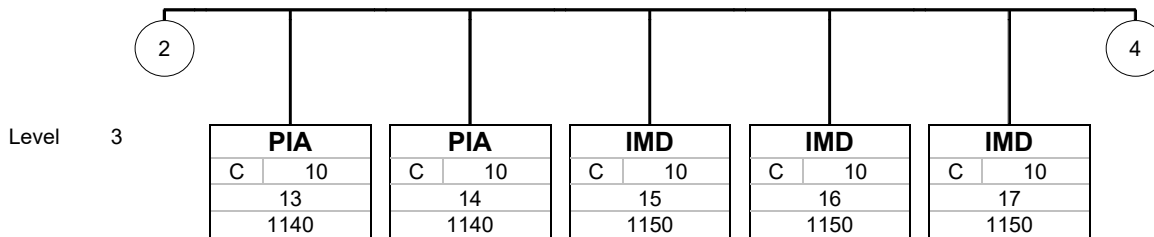
| |
|-----------|
| Tag |
| St MaxOcc |
| No |
| Counter |

Tag = Segment/Group Tag
 St = Status (M=Mandatory, C=Conditional, R=Required, O=Optional, A=Advised, D=Dependent)
 MaxOcc = Maximum occurrence of the segment/group
 No = Consecutive segment number
 Counter = Counter of segment/group within the standard



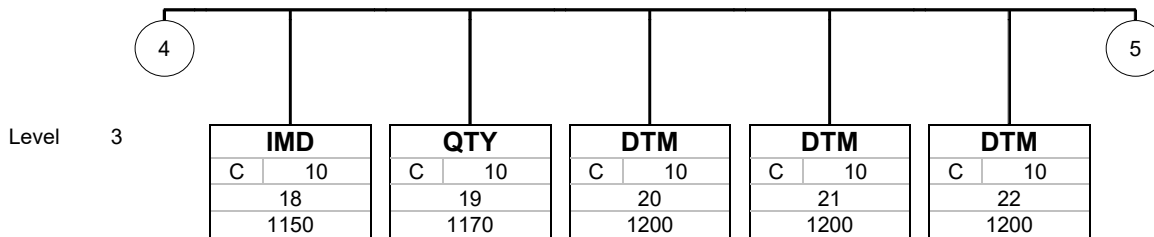
| |
|-----------|
| Tag |
| St MaxOcc |
| No |
| Counter |

Tag = Segment/Group Tag
 St = Status (M=Mandatory, C=Conditional, R=Required, O=Optional, A=Advised, D=Dependent)
 MaxOcc = Maximum occurrence of the segment/group
 No = Consecutive segment number
 Counter = Counter of segment/group within the standard



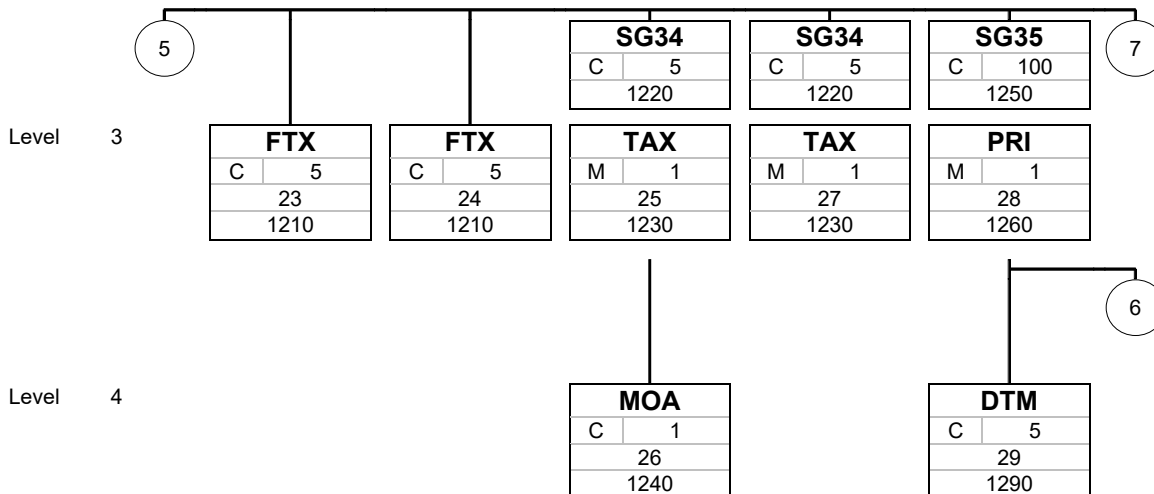
| |
|-----------|
| Tag |
| St MaxOcc |
| No |
| Counter |

Tag = Segment/Group Tag
 St = Status (M=Mandatory, C=Conditional, R=Required, O=Optional, A=Advised, D=Dependent)
 MaxOcc = Maximum occurrence of the segment/group
 No = Consecutive segment number
 Counter = Counter of segment/group within the standard



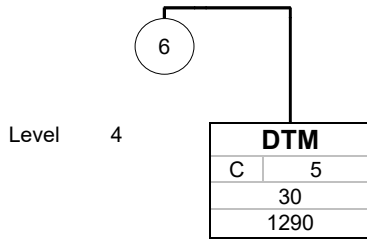
| |
|-----------|
| Tag |
| St MaxOcc |
| No |
| Counter |

Tag = Segment/Group Tag
 St = Status (M=Mandatory, C=Conditional, R=Required, O=Optional, A=Advised, D=Dependent)
 MaxOcc = Maximum occurrence of the segment/group
 No = Consecutive segment number
 Counter = Counter of segment/group within the standard



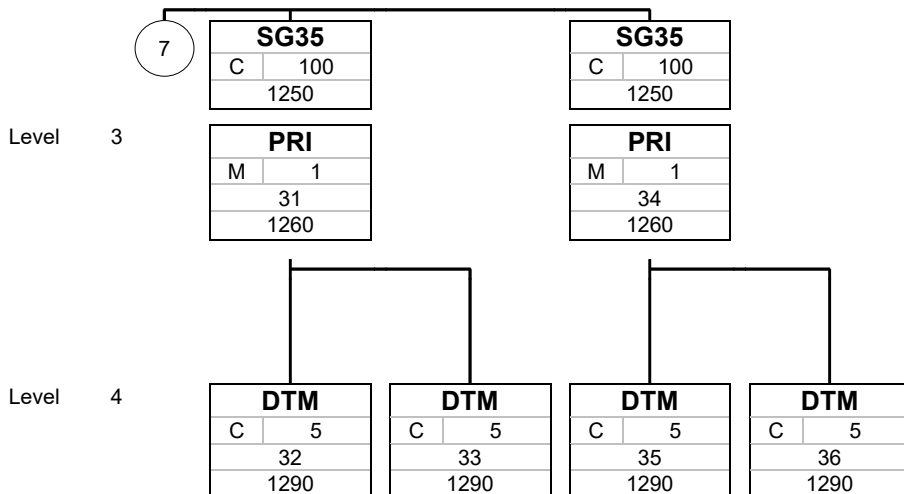
| |
|-----------|
| Tag |
| St MaxOcc |
| No |
| Counter |

Tag = Segment/Group Tag
 St = Status (M=Mandatory, C=Conditional, R=Required, O=Optional, A=Advised, D=Dependent)
 MaxOcc = Maximum occurrence of the segment/group
 No = Consecutive segment number
 Counter = Counter of segment/group within the standard



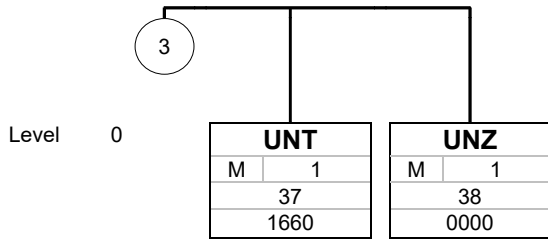
| |
|-----------|
| Tag |
| St MaxOcc |
| No |
| Counter |

Tag = Segment/Group Tag
 St = Status (M=Mandatory, C=Conditional, R=Required, O=Optional, A=Advised, D=Dependent)
 MaxOcc = Maximum occurrence of the segment/group
 No = Consecutive segment number
 Counter = Counter of segment/group within the standard



| |
|-----------|
| Tag |
| St MaxOcc |
| No |
| Counter |

Tag = Segment/Group Tag
 St = Status (M=Mandatory, C=Conditional, R=Required, O=Optional, A=Advised, D=Dependent)
 MaxOcc = Maximum occurrence of the segment/group
 No = Consecutive segment number
 Counter = Counter of segment/group within the standard



| |
|-----------|
| Tag |
| St MaxOcc |
| No |
| Counter |

Tag = Segment/Group Tag
 St = Status (M=Mandatory, C=Conditional, R=Required, O=Optional, A=Advised, D=Dependent)
 MaxOcc = Maximum occurrence of the segment/group
 No = Consecutive segment number
 Counter = Counter of segment/group within the standard

Segments

| Counter | No | Tag | St | MaxOcc | Level | Name |
|---------|----|------------|----|--------|-------|-----------------------|
| 0000 | 1 | UNA | C | 1 | 0 | SERVICE STRING ADVICE |

| | | Standard | BSH Implementation | |
|------|----------------------------------|-----------|--------------------|----------------|
| Tag | Name | St Format | St Format | Usage / Remark |
| UNA | | | | |
| UNA1 | Component data element separator | M an1 | M an1 | |
| UNA2 | Data element separator | M an1 | M an1 | |
| UNA3 | Decimal notation | M an1 | M an1 | |
| UNA4 | Release indicator | M an1 | M an1 | |
| UNA5 | Reserved for future use | M an1 | M an1 | |
| UNA6 | Segment terminator | M an1 | M an1 | |

Remark:

Optional separator declaration

Example:

UNA: + . ? ' '

No = Consecutive segment number
 MaxOcc = Maximum occurrence of the segment/group
 Counter = Counter of segment/group within the standard

St = Status
 EDIFACT: M=Mandatory, C=Conditional
 User specific: R=Required, O=Optional, D=Dependent,
 A=Advised, N=Not used

| Counter | No | Tag | St | MaxOcc | Level | Name |
|---------|----|------------|----|--------|-------|--------------------|
| 0000 | 2 | UNB | M | 1 | 0 | INTERCHANGE HEADER |

| Standard | | | BSH Implementation | | |
|----------|---|-----------|--------------------|---|--|
| Tag | Name | St Format | St Format | Usage / Remark | |
| UNB | | | | | |
| S001 | SYNTAX IDENTIFIER | M | M | | |
| 0001 | Syntax identifier | M a4 | M a4 | UNOC | |
| 0002 | Syntax version number | M n1 | M n1 | Syntax Version number 3 | |
| S002 | INTERCHANGE SENDER | M | M | | |
| 0004 | Sender identification | M an..35 | M an..35 | GLN of the sender | |
| 0007 | Partner identification code qualifier | C an..4 | C an..4 | 14 | |
| 0008 | Address for reverse routing | C an..14 | N | Not used | |
| S003 | INTERCHANGE RECIPIENT | M | M | | |
| 0010 | Recipient identification | M an..35 | M an..35 | GLN from the receiver | |
| 0007 | Partner identification code qualifier | C an..4 | C an..4 | 14 | |
| 0014 | Routing address | C an..14 | C an..14 | Pricat Type, Underscore and Pricat Country Pricat Type Valid Codes are: 10 (=TT) , 20 (=UE) Example: 10_DE (TT Germany) | |
| S004 | DATE/TIME OF PREPARATION | M | M | | |
| 0017 | Date of preparation | M n6 | M n6 | Creation date of the transfer file | |
| 0019 | Time of preparation | M n4 | M n4 | Time of creation | |
| 0020 | Interchange control reference | M an..14 | M an..14 | Unique identification of the transfer file | |
| S005 | RECIPIENT'S REFERENCE PASSWORD | C | N | | |
| 0022 | Recipient's reference/password | M an..14 | N | Not used | |
| 0025 | Recipient's reference/password qualifier | C an2 | N | Not used | |
| 0026 | Application reference | C an..14 | N | Not used | |
| 0029 | Processing priority code | C a1 | N | Not used | |
| 0031 | Acknowledgement request | C n1 | N | Not used | |
| 0032 | Communications agreement ID | C an..35 | N | Not used | |
| 0035 | Test indicator | C n1 | C n1 | 1 Test empty Production | |

Remark:

Header segment of the interchange

Example:

UNB+UNOC:3+X:14+X:14:DE_20+130425:1042+X+++++1'

No = Consecutive segment number
 MaxOcc = Maximum occurrence of the segment/group
 Counter = Counter of segment/group within the standard

St = Status
 EDIFACT: M=Mandatory, C=Conditional
 User specific: R=Required, O=Optional, D=Dependent,
 A=Advised, N=Not used

| Counter | No | Tag | St | MaxOcc | Level | Name |
|---------|----|------------|----|--------|-------|----------------|
| 0010 | 3 | UNH | M | 1 | 0 | Message header |

| Standard | | | BSH Implementation | |
|----------|---|-----------|--------------------|----------------|
| Tag | Name | St Format | St Format | Usage / Remark |
| UNH | | | | |
| 0062 | Message reference number | M an..14 | M an..14 | |
| S009 | MESSAGE IDENTIFIER | M | M | |
| 0065 | Message type identifier | M an..6 | M an..6 | PRICAT |
| 0052 | Message type version number | M an..3 | M an..3 | Draft |
| 0054 | Message type release number | M an..3 | M an..3 | Edition 1993 A |
| 0051 | Controlling agency | M an..2 | M an..2 | UN |
| 0057 | Association assigned code | C an..6 | C an..6 | |
| 0068 | Common access reference | C an..35 | N | Not used |
| S010 | STATUS OF THE TRANSFER | C | N | |
| 0070 | Sequence message transfer number | M n..2 | N | Not used |
| 0073 | First/last sequence message transfer indication | C a1 | N | Not used |

Remark:
Header segment of the message

Example:
UNH+X+PRICAT:D:93A:UN:X'

No = Consecutive segment number
MaxOcc = Maximum occurrence of the segment/group
Counter = Counter of segment/group within the standard

St = Status
EDIFACT: M=Mandatory, C=Conditional
User specific: R=Required, O=Optional, D=Dependent,
A=Advised, N=Not used

| Counter | No | Tag | St | MaxOcc | Level | Name |
|---------|----|------------|----|--------|-------|----------------------|
| 0020 | 4 | BGM | M | 1 | 0 | Beginning of message |

| Standard | | | BSH Implementation | |
|----------|-------------------------------------|-----------|--------------------|--------------------------------|
| Tag | Name | St Format | St Format | Usage / Remark |
| BGM | | | | |
| C002 | DOCUMENT/MESSAGE NAME | C | C | |
| 1001 | Document/message name, coded | C an..3 | C an..3 | 9 Price/sales catalogue |
| 1131 | Code list qualifier | C an..3 | N | Not used |
| 3055 | Code list responsible agency, coded | C an..3 | N | Not used |
| 1000 | Document/message name | C an..35 | N | Not used |
| 1004 | Document/message number | C an..35 | C an..35 | Price catalog number |
| 1225 | Message function, coded | C an..3 | N | Not used |
| 4343 | Response type, coded | C an..3 | N | Not used |

Remark:

Document type,price catalog number

Example:

BGM+9+X'

No = Consecutive segment number
 MaxOcc = Maximum occurrence of the segment/group
 Counter = Counter of segment/group within the standard

St = Status
 EDIFACT: M=Mandatory, C=Conditional
 User specific: R=Required, O=Optional, D=Dependent,
 A=Advised, N=Not used

| Counter | No | Tag | St | MaxOcc | Level | Name |
|---------|----|------------|----|--------|-------|------------------|
| 0030 | 5 | DTM | M | 35 | 1 | Date/time/period |

| Standard | | | BSH Implementation | |
|----------|-----------------------------------|-----------|--------------------|---------------------------------------|
| Tag | Name | St Format | St Format | Usage / Remark |
| DTM | | | | |
| C507 | DATE/TIME/PERIOD | M | M | |
| 2005 | Date/time/period qualifier | M an..3 | M an..3 | 137 Document/message date/time |
| 2380 | Date/time/period | C an..35 | C an..35 | |
| 2379 | Date/time/period format qualifier | C an..3 | C an..3 | 102 CCYYMMDD |

Remark:
Document date

Example:
DTM+137:20130520:102'

No = Consecutive segment number
 MaxOcc = Maximum occurrence of the segment/group
 Counter = Counter of segment/group within the standard

St = Status
 EDIFACT: M=Mandatory, C=Conditional
 User specific: R=Required, O=Optional, D=Dependent,
 A=Advised, N=Not used

| Counter | No | Tag | St | MaxOcc | Level | Name |
|---------|------|------------|----|--------|-------|-------------------------|
| | 0090 | SG2 | C | 20 | 1 | NAD |
| | 0100 | NAD | M | 1 | 1 | Name and address |

| Standard | | | BSH Implementation | |
|------------|-------------------------------------|-----------|--------------------|--|
| Tag | Name | St Format | St Format | Usage / Remark |
| NAD | | | | |
| 3035 | Party qualifier | M an..3 | M an..3 | SU Supplier |
| C082 | PARTY IDENTIFICATION DETAILS | C | C | |
| 3039 | Party id identification | M an..17 | M an..17 | GLN (global location number) |
| 1131 | Code list qualifier | C an..3 | N | Not used |
| 3055 | Code list responsible agency, coded | C an..3 | C an..3 | 9 EAN (International Article Numbering association) |
| C058 | NAME AND ADDRESS | C | N | |
| 3124 | Name and address line | M an..35 | N | Not used |
| 3124 | Name and address line | C an..35 | N | Not used |
| 3124 | Name and address line | C an..35 | N | Not used |
| 3124 | Name and address line | C an..35 | N | Not used |
| 3124 | Name and address line | C an..35 | N | Not used |
| C080 | PARTY NAME | C | N | |
| 3036 | Party name | M an..35 | N | Not used |
| 3036 | Party name | C an..35 | N | Not used |
| 3036 | Party name | C an..35 | N | Not used |
| 3036 | Party name | C an..35 | N | Not used |
| 3036 | Party name | C an..35 | N | Not used |
| 3045 | Party name format, coded | C an..3 | N | Not used |
| C059 | STREET | C | N | |
| 3042 | Street and number/P.O. Box | M an..35 | N | Not used |
| 3042 | Street and number/P.O. Box | C an..35 | N | Not used |
| 3042 | Street and number/P.O. Box | C an..35 | N | Not used |
| 3164 | City name | C an..35 | N | Not used |
| 3229 | Country sub-entity identification | C an..9 | N | Not used |
| 3251 | Postcode identification | C an..9 | N | Not used |
| 3207 | Country, coded | C an..3 | N | Not used |

Remark:
Supplier

Example:

NAD+SU+X:::9'

No = Consecutive segment number
 MaxOcc = Maximum occurrence of the segment/group
 Counter = Counter of segment/group within the standard

St = Status
 EDIFACT: M=Mandatory, C=Conditional
 User specific: R=Required, O=Optional, D=Dependent,
 A=Advised, N=Not used

| Counter | No | Tag | St | MaxOcc | Level | Name |
|---------|------|------------|----|--------|-------|-------------------|
| | 0210 | SG6 | C | 5 | 1 | CUX |
| | 0220 | CUX | M | 1 | 1 | Currencies |

| | | Standard | BSH Implementation | | |
|------------|---------------------------------|-----------|--------------------|--|--|
| Tag | Name | St Format | St Format | Usage / Remark | |
| CUX | | | | | |
| C504 | CURRENCY DETAILS | C | C | | |
| 6347 | Currency details qualifier | M an..3 | M an..3 | 2 Reference currency | |
| 6345 | Currency, coded | C an..3 | C an..3 | ISO 4217 Must be sent when Sales or Retail price is given. EUR Euro | |
| 6343 | Currency qualifier | C an..3 | C an..3 | 8 Price list currency | |
| 6348 | Currency rate base | C n..4 | N | Not used | |
| C504 | CURRENCY DETAILS | C | N | | |
| 6347 | Currency details qualifier | M an..3 | N | Not used | |
| 6345 | Currency, coded | C an..3 | N | Not used | |
| 6343 | Currency qualifier | C an..3 | N | Not used | |
| 6348 | Currency rate base | C n..4 | N | Not used | |
| 5402 | Rate of exchange | C n..12 | N | Not used | |
| 6341 | Currency market exchange, coded | C an..3 | N | Not used | |

Remark:

Currency

Example:

CUX+2:EUR:8'

No = Consecutive segment number
 MaxOcc = Maximum occurrence of the segment/group
 Counter = Counter of segment/group within the standard

St = Status
 EDIFACT: M=Mandatory, C=Conditional
 User specific: R=Required, O=Optional, D=Dependent,
 A=Advised, N=Not used

| Counter | No | Tag | St | MaxOcc | Level | Name |
|---------|------|-------------|----|--------|-------|---------------------------|
| | 0530 | SG16 | C | 1000 | 1 | PGI-SG25-SG33 |
| | 0540 | PGI | M | 1 | 1 | Product group information |

| Standard | | | BSH Implementation | |
|----------|--------------------------|-----------|--------------------|--------------------|
| Tag | Name | St Format | St Format | Usage / Remark |
| PGI | | | | |
| 5379 | Price/tariff type, coded | M an..3 | M an..3 | 3 Catalogue |
| C288 | PRICING GROUP | C | N | |
| 5389 | Pricing group, coded | C an..3 | N | Not used |
| 5388 | Pricing group | C an..35 | N | Not used |

Remark:

Product group information

Example:

PGI+3'

No = Consecutive segment number
 MaxOcc = Maximum occurrence of the segment/group
 Counter = Counter of segment/group within the standard

St = Status
 EDIFACT: M=Mandatory, C=Conditional
 User specific: R=Required, O=Optional, D=Dependent,
 A=Advised, N=Not used

| Counter | No | Tag | St | MaxOcc | Level | Name |
|---------|----|-------------|----|--------|-------|-------------------------|
| 0850 | | SG25 | C | 20 | 2 | NAD |
| 0860 | 9 | NAD | M | 1 | 2 | Name and address |

| | | Standard | BSH Implementation | |
|------------|-------------------------------------|-----------|--------------------|--|
| Tag | Name | St Format | St Format | Usage / Remark |
| NAD | | | | |
| 3035 | Party qualifier | M an..3 | M an..3 | SU Supplier |
| C082 | PARTY IDENTIFICATION DETAILS | C | C | |
| 3039 | Party id identification | M an..17 | M an..17 | Manufacturer number MSH with DE082.3055 = 92 Manufacturer name with DE082.3055 = 91 Either Manufacturer number or name mandatory for UE articles |
| 1131 | Code list qualifier | C an..3 | N | Not used |
| 3055 | Code list responsible agency, coded | C an..3 | C an..3 | 91 Assigned by seller or seller's agent 92 Assigned by buyer or buyer's agent |
| C058 | NAME AND ADDRESS | C | N | |
| 3124 | Name and address line | M an..35 | N | Not used |
| 3124 | Name and address line | C an..35 | N | Not used |
| 3124 | Name and address line | C an..35 | N | Not used |
| 3124 | Name and address line | C an..35 | N | Not used |
| 3124 | Name and address line | C an..35 | N | Not used |
| C080 | PARTY NAME | C | N | |
| 3036 | Party name | M an..35 | N | Not used |
| 3036 | Party name | C an..35 | N | Not used |
| 3036 | Party name | C an..35 | N | Not used |
| 3036 | Party name | C an..35 | N | Not used |
| 3036 | Party name | C an..35 | N | Not used |
| 3045 | Party name format, coded | C an..3 | N | Not used |
| C059 | STREET | C | N | |
| 3042 | Street and number/P.O. Box | M an..35 | N | Not used |
| 3042 | Street and number/P.O. Box | C an..35 | N | Not used |
| 3042 | Street and number/P.O. Box | C an..35 | N | Not used |
| 3164 | City name | C an..35 | N | Not used |
| 3229 | Country sub-entity identification | C an..9 | N | Not used |
| 3251 | Postcode identification | C an..9 | N | Not used |
| 3207 | Country, coded | C an..3 | N | Not used |

Remark:

Manufacturer number MSH

Example:

NAD+SU+123456789::91'

No = Consecutive segment number
 MaxOcc = Maximum occurrence of the segment/group
 Counter = Counter of segment/group within the standard

St = Status
 EDIFACT: M=Mandatory, C=Conditional
 User specific: R=Required, O=Optional, D=Dependent,
 A=Advised, N=Not used

| Counter | No | Tag | St | MaxOcc | Level | Name |
|---------|------|-------------|----|--------|-------|-----------------------------------|
| | 1120 | SG33 | C | 200000 | 2 | PIT-PIA-IMD-QTY-DTM-FTX-SG34-SG35 |
| | 1130 | PIT | M | 1 | 2 | Price item line |

| Standard | | | BSH Implementation | |
|----------|-------------------------------------|-----------|--------------------|--|
| Tag | Name | St Format | St Format | Usage / Remark |
| PIT | | | | |
| 1082 | Line item number | C n..6 | C n..6 | |
| 1229 | Action request/notification, coded | C an..3 | C an..3 | 1 Added (New) 2 Changed 3 Deletion 4 Re-registration 5 Registration to another supplier |
| C292 | PRICE CHANGE INFORMATION | C | N | |
| 5377 | Price change indicator, coded | M an..3 | N | Not used |
| 1131 | Code list qualifier | C an..3 | N | Not used |
| 3055 | Code list responsible agency, coded | C an..3 | N | Not used |
| 7011 | Article availability, coded | C an..3 | N | Not used |
| 5495 | Sub-line indicator, coded | C an..3 | N | Not used |
| 1222 | Configuration level | C n..2 | N | Not used |
| 7083 | Configuration, coded | C an..3 | N | Not used |

Remark:

The mapping of the PIT 1229 Codes is not equal to the EANCOM codes. This is an MediaSaturn internal code list.

Action request

Example:

PIT+9+1'

No = Consecutive segment number
 MaxOcc = Maximum occurrence of the segment/group
 Counter = Counter of segment/group within the standard

St = Status
 EDIFACT: M=Mandatory, C=Conditional
 User specific: R=Required, O=Optional, D=Dependent,
 A=Advised, N=Not used

| Counter | No | Tag | St | MaxOcc | Level | Name |
|---------|------|-------------|----|--------|-------|-----------------------------------|
| | 1120 | SG33 | C | 200000 | 2 | PIT-PIA-IMD-QTY-DTM-FTX-SG34-SG35 |
| | 1140 | PIA | C | 10 | 3 | Additional product id |

| Standard | | | BSH Implementation | | |
|----------|-------------------------------------|-----------|--------------------|--|--|
| Tag | Name | St Format | St Format | Usage / Remark | |
| PIA | | | | | |
| 4347 | Product id function qualifier | M an..3 | M an..3 | 5 Product identification | |
| C212 | ITEM NUMBER IDENTIFICATION | M | M | | |
| 7140 | Item number | C an..35 | C an..35 | EAN Mandatory for UE articles if article number MSH and supplier's article number are not given. Conditional for TT articles when changed or deleted. | |
| 7143 | Item number type, coded | C an..3 | C an..3 | EN International Article Numbering Association (EAN) | |
| 1131 | Code list qualifier | C an..3 | N | Not used | |
| 3055 | Code list responsible agency, coded | C an..3 | C an..3 | 9 EAN (International Article Numbering association) | |
| C212 | ITEM NUMBER IDENTIFICATION | C | C | | |
| 7140 | Item number | C an..35 | C an..35 | MSH article number Mandatory for UE articles when changed or deleted | |
| 7143 | Item number type, coded | C an..3 | C an..3 | BP Buyer's part number | |
| 1131 | Code list qualifier | C an..3 | N | Not used | |
| 3055 | Code list responsible agency, coded | C an..3 | C an..3 | 92 Assigned by buyer or buyer's agent | |
| C212 | ITEM NUMBER IDENTIFICATION | C | C | | |
| 7140 | Item number | C an..35 | C an..35 | Supplier's article number Mandatory for UE articles if EAN and MSH article number are not given | |
| 7143 | Item number type, coded | C an..3 | C an..3 | SA Supplier's article number | |
| 1131 | Code list qualifier | C an..3 | N | Not used | |
| 3055 | Code list responsible agency, coded | C an..3 | C an..3 | 91 Assigned by seller or seller's agent | |
| C212 | ITEM NUMBER IDENTIFICATION | C | C | | |
| 7140 | Item number | C an..35 | C an..35 | Commodity group number Conditional for TT articles if changed or deleted. Conditional for UE articles if GPC code given. | |
| 7143 | Item number type, coded | C an..3 | C an..3 | CG Commodity grouping | |
| 1131 | Code list qualifier | C an..3 | N | Not used | |
| 3055 | Code list responsible agency, coded | C an..3 | C an..3 | 91 Assigned by seller or seller's agent | |
| C212 | ITEM NUMBER IDENTIFICATION | C | C | | |
| 7140 | Item number | C an..35 | C an..35 | Commodity group name Mandatory for UE articles if commodity group number not given when added | |
| 7143 | Item number type, coded | C an..3 | C an..3 | CG Commodity grouping | |
| 1131 | Code list qualifier | C an..3 | N | Not used | |
| 3055 | Code list responsible agency, coded | C an..3 | C an..3 | 91 Assigned by seller or seller's agent | |

Remark:

Example:

PIA+5+X:EN::9+X:BP::92+X:SA::91+123:CG::91+abc:CG::91'

No = Consecutive segment number
MaxOcc = Maximum occurrence of the segment/group
Counter = Counter of segment/group within the standard

St = Status
EDIFACT: M=Mandatory, C=Conditional
User specific: R=Required, O=Optional, D=Dependent,
A=Advised, N=Not used

| Counter | No | Tag | St | MaxOcc | Level | Name |
|---------|----|-------------|----|--------|-------|-----------------------------------|
| 1120 | | SG33 | C | 200000 | 2 | PIT-PIA-IMD-QTY-DTM-FTX-SG34-SG35 |
| 1140 | 12 | PIA | C | 10 | 3 | Additional product id |

| | | Standard | BSH Implementation | |
|------|-------------------------------------|-----------|--------------------|--|
| Tag | Name | St Format | St Format | Usage / Remark |
| PIA | | | | |
| 4347 | Product id function qualifier | M an..3 | M an..3 | |
| C212 | ITEM NUMBER IDENTIFICATION | M | M | |
| 7140 | Item number | C an..35 | C an..35 | Mandatory if no commodity group number is sent; either commodity group or brick code must be sent. |
| 7143 | Item number type, coded | C an..3 | C an..3 | BRI GPC Brick code |
| 1131 | Code list qualifier | C an..3 | N | Not used |
| 3055 | Code list responsible agency, coded | C an..3 | C an..3 | 9 EAN (International Article Numbering association) |
| C212 | ITEM NUMBER IDENTIFICATION | C | N | |
| 7140 | Item number | C an..35 | N | Not used |
| 7143 | Item number type, coded | C an..3 | N | Not used |
| 1131 | Code list qualifier | C an..3 | N | Not used |
| 3055 | Code list responsible agency, coded | C an..3 | N | Not used |
| C212 | ITEM NUMBER IDENTIFICATION | C | N | |
| 7140 | Item number | C an..35 | N | Not used |
| 7143 | Item number type, coded | C an..3 | N | Not used |
| 1131 | Code list qualifier | C an..3 | N | Not used |
| 3055 | Code list responsible agency, coded | C an..3 | N | Not used |
| C212 | ITEM NUMBER IDENTIFICATION | C | N | |
| 7140 | Item number | C an..35 | N | Not used |
| 7143 | Item number type, coded | C an..3 | N | Not used |
| 1131 | Code list qualifier | C an..3 | N | Not used |
| 3055 | Code list responsible agency, coded | C an..3 | N | Not used |
| C212 | ITEM NUMBER IDENTIFICATION | C | N | |
| 7140 | Item number | C an..35 | N | Not used |
| 7143 | Item number type, coded | C an..3 | N | Not used |
| 1131 | Code list qualifier | C an..3 | N | Not used |
| 3055 | Code list responsible agency, coded | C an..3 | N | Not used |

Remark:
GPC Brick code

Example:
PIA+1+X:BP::9'

No = Consecutive segment number
MaxOcc = Maximum occurrence of the segment/group
Counter = Counter of segment/group within the standard

St = Status
EDIFACT: M=Mandatory, C=Conditional
User specific: R=Required, O=Optional, D=Dependent,
A=Advised, N=Not used

| Counter | No | Tag | St | MaxOcc | Level | Name |
|---------|----|-------------|----|--------|-------|-----------------------------------|
| 1120 | | SG33 | C | 200000 | 2 | PIT-PIA-IMD-QTY-DTM-FTX-SG34-SG35 |
| 1140 | 13 | PIA | C | 10 | 3 | Additional product id |

| | | Standard | BSH Implementation | |
|------|-------------------------------------|-----------|--------------------|--|
| Tag | Name | St Format | St Format | Usage / Remark |
| PIA | | | | |
| 4347 | Product id function qualifier | M an..3 | M an..3 | |
| C212 | ITEM NUMBER IDENTIFICATION | M | M | |
| 7140 | Item number | C an..35 | C an..35 | Mandatory if no commodity group number is sent; either commodity group or brick code must be sent. |
| 7143 | Item number type, coded | C an..3 | C an..3 | GAT GPC Attribute |
| 1131 | Code list qualifier | C an..3 | N | Not used |
| 3055 | Code list responsible agency, coded | C an..3 | C an..3 | 9 EAN (International Article Numbering association) |
| C212 | ITEM NUMBER IDENTIFICATION | C | C | |
| 7140 | Item number | C an..35 | C an..35 | |
| 7143 | Item number type, coded | C an..3 | C an..3 | GAV GPC Value |
| 1131 | Code list qualifier | C an..3 | N | Not used |
| 3055 | Code list responsible agency, coded | C an..3 | C an..3 | 9 EAN (International Article Numbering association) |
| C212 | ITEM NUMBER IDENTIFICATION | C | N | |
| 7140 | Item number | C an..35 | N | Not used |
| 7143 | Item number type, coded | C an..3 | N | Not used |
| 1131 | Code list qualifier | C an..3 | N | Not used |
| 3055 | Code list responsible agency, coded | C an..3 | N | Not used |
| C212 | ITEM NUMBER IDENTIFICATION | C | N | |
| 7140 | Item number | C an..35 | N | Not used |
| 7143 | Item number type, coded | C an..3 | N | Not used |
| 1131 | Code list qualifier | C an..3 | N | Not used |
| 3055 | Code list responsible agency, coded | C an..3 | N | Not used |
| C212 | ITEM NUMBER IDENTIFICATION | C | N | |
| 7140 | Item number | C an..35 | N | Not used |
| 7143 | Item number type, coded | C an..3 | N | Not used |
| 1131 | Code list qualifier | C an..3 | N | Not used |
| 3055 | Code list responsible agency, coded | C an..3 | N | Not used |

Remark:

GPC Attribute / Value
Can occur 7 times

Example:

PIA+1+12345678:GAT::9+11223344:GAV::9'

No = Consecutive segment number
MaxOcc = Maximum occurrence of the segment/group
Counter = Counter of segment/group within the standard

St = Status
EDIFACT: M=Mandatory, C=Conditional
User specific: R=Required, O=Optional, D=Dependent,
A=Advised, N=Not used

| Counter | No | Tag | St | MaxOcc | Level | Name |
|---------|----|-------------|----|--------|-------|-----------------------------------|
| 1120 | | SG33 | C | 200000 | 2 | PIT-PIA-IMD-QTY-DTM-FTX-SG34-SG35 |
| 1140 | 14 | PIA | C | 10 | 3 | Additional product id |

| | | Standard | BSH Implementation | |
|--|-------------------------------------|-----------|--------------------|---|
| Tag | Name | St Format | St Format | Usage / Remark |
| PIA | | | | |
| 4347 | Product id function qualifier | M an..3 | M an..3 | 5 Product identification |
| C212 | ITEM NUMBER IDENTIFICATION | M | M | |
| 7140 | Item number | C an..35 | C an..35 | article number from the manufacturer. |
| 7143 | Item number type, coded | C an..3 | C an..3 | Manufacturers (producer's) article number |
| MF Manufacturer's (producer's) article number | | | | |
| 1131 | Code list qualifier | C an..3 | N | Not used |
| 3055 | Code list responsible agency, coded | C an..3 | C an..3 | 90 Assigned by manufacturer |
| C212 | ITEM NUMBER IDENTIFICATION | C | C | |
| 7140 | Item number | C an..35 | C an..35 | manufacturer name |
| 7143 | Item number type, coded | C an..3 | N | Not used |
| 1131 | Code list qualifier | C an..3 | N | Not used |
| 3055 | Code list responsible agency, coded | C an..3 | C an..3 | 90 Assigned by manufacturer |
| C212 | ITEM NUMBER IDENTIFICATION | C | N | |
| 7140 | Item number | C an..35 | N | Not used |
| 7143 | Item number type, coded | C an..3 | N | Not used |
| 1131 | Code list qualifier | C an..3 | N | Not used |
| 3055 | Code list responsible agency, coded | C an..3 | N | Not used |
| C212 | ITEM NUMBER IDENTIFICATION | C | N | |
| 7140 | Item number | C an..35 | N | Not used |
| 7143 | Item number type, coded | C an..3 | N | Not used |
| 1131 | Code list qualifier | C an..3 | N | Not used |
| 3055 | Code list responsible agency, coded | C an..3 | N | Not used |
| C212 | ITEM NUMBER IDENTIFICATION | C | N | |
| 7140 | Item number | C an..35 | N | Not used |
| 7143 | Item number type, coded | C an..3 | N | Not used |
| 1131 | Code list qualifier | C an..3 | N | Not used |
| 3055 | Code list responsible agency, coded | C an..3 | N | Not used |

Remark:

Manufacturer's article number

Example:

PIA+5+12345678:MF::90+X:::90'

No = Consecutive segment number
 MaxOcc = Maximum occurrence of the segment/group
 Counter = Counter of segment/group within the standard

St = Status
 EDIFACT: M=Mandatory, C=Conditional
 User specific: R=Required, O=Optional, D=Dependent,
 A=Advised, N=Not used

| Counter | No | Tag | St | MaxOcc | Level | Name |
|---------|------|-------------|----|--------|-------|-----------------------------------|
| | 1120 | SG33 | C | 200000 | 2 | PIT-PIA-IMD-QTY-DTM-FTX-SG34-SG35 |
| | 1150 | IMD | C | 10 | 3 | Item description |

| Standard | | | BSH Implementation | |
|----------|-------------------------------------|-----------|--------------------|--|
| Tag | Name | St Format | St Format | Usage / Remark |
| IMD | | | | |
| 7077 | Item description type, coded | C an..3 | C an..3 | F Free-form |
| 7081 | Item characteristic, coded | C an..3 | C an..3 | ANM Article name (EAN code) |
| C273 | ITEM DESCRIPTION | C | C | |
| 7009 | Item description identification | C an..7 | N | Not used |
| 1131 | Code list qualifier | C an..3 | N | Not used |
| 3055 | Code list responsible agency, coded | C an..3 | N | Not used |
| 7008 | Item description | C an..35 | C an..35 | Article name Conditional for TT articles when changed or deleted; for Phononet titel only up to the first slash |
| 7008 | Item description | C an..35 | N | Not used |
| 7383 | Surface/layer indicator, coded | C an..3 | N | Not used |

Remark:

Article description

Example:

IMD+F+ANM+:::Article description'

No = Consecutive segment number
 MaxOcc = Maximum occurrence of the segment/group
 Counter = Counter of segment/group within the standard

St = Status
 EDIFACT: M=Mandatory, C=Conditional
 User specific: R=Required, O=Optional, D=Dependent,
 A=Advised, N=Not used

| Counter | No | Tag | St | MaxOcc | Level | Name |
|---------|------|-------------|----|--------|-------|-----------------------------------|
| | 1120 | SG33 | C | 200000 | 2 | PIT-PIA-IMD-QTY-DTM-FTX-SG34-SG35 |
| | 1150 | IMD | C | 10 | 3 | Item description |

| Standard | | | BSH Implementation | | |
|----------|-------------------------------------|-----------|--------------------|--------------------|--|
| Tag | Name | St Format | St Format | Usage / Remark | |
| IMD | | | | | |
| 7077 | Item description type, coded | C an..3 | C an..3 | F Free-form | |
| 7081 | Item characteristic, coded | C an..3 | C an..3 | 35 Colour | |
| C273 | ITEM DESCRIPTION | C | C | | |
| 7009 | Item description identification | C an..7 | N | Not used | |
| 1131 | Code list qualifier | C an..3 | N | Not used | |
| 3055 | Code list responsible agency, coded | C an..3 | N | Not used | |
| 7008 | Item description | C an..35 | C an..35 | TT article label | |
| 7008 | Item description | C an..35 | N | Not used | |
| 7383 | Surface/layer indicator, coded | C an..3 | N | Not used | |

Remark:

Label

Example:

IMD+F+35+:::Article description'

No = Consecutive segment number
 MaxOcc = Maximum occurrence of the segment/group
 Counter = Counter of segment/group within the standard

St = Status
 EDIFACT: M=Mandatory, C=Conditional
 User specific: R=Required, O=Optional, D=Dependent,
 A=Advised, N=Not used

| Counter | No | Tag | St | MaxOcc | Level | Name |
|---------|------|-------------|----|--------|-------|-----------------------------------|
| | 1120 | SG33 | C | 200000 | 2 | PIT-PIA-IMD-QTY-DTM-FTX-SG34-SG35 |
| | 1150 | IMD | C | 10 | 3 | Item description |

| Standard | | | BSH Implementation | |
|----------|-------------------------------------|-----------|--------------------|--|
| Tag | Name | St Format | St Format | Usage / Remark |
| IMD | | | | |
| 7077 | Item description type, coded | C an..3 | C an..3 | F Free-form |
| 7081 | Item characteristic, coded | C an..3 | C an..3 | 33 Artist |
| | | | | 75 FSK/USK, Movie rating |
| | | | | 84 Composer |
| | | | | 85 Recording medium |
| C273 | ITEM DESCRIPTION | C | C | |
| 7009 | Item description identification | C an..7 | N | Not used |
| 1131 | Code list qualifier | C an..3 | N | Not used |
| 3055 | Code list responsible agency, coded | C an..3 | N | Not used |
| 7008 | Item description | C an..35 | C an..35 | Artist and medium conditional for TT articles when changed or deleted FSK/USK mandatory for visual media in Germany, age in years |
| 7008 | Item description | C an..35 | N | Not used |
| 7383 | Surface/layer indicator, coded | C an..3 | N | Not used |

Remark:

Medium, Movie Rating, Artist, Composer

Example:

IMD+F+35+:::Article description'

No = Consecutive segment number
 MaxOcc = Maximum occurrence of the segment/group
 Counter = Counter of segment/group within the standard

St = Status
 EDIFACT: M=Mandatory, C=Conditional
 User specific: R=Required, O=Optional, D=Dependent,
 A=Advised, N=Not used

| Counter | No | Tag | St | MaxOcc | Level | Name |
|---------|------|-------------|----|--------|-------|-----------------------------------|
| | 1120 | SG33 | C | 200000 | 2 | PIT-PIA-IMD-QTY-DTM-FTX-SG34-SG35 |
| | 1150 | IMD | C | 10 | 3 | Item description |

| Standard | | | BSH Implementation | | |
|----------|-------------------------------------|-----------|--------------------|--------------------------|--|
| Tag | Name | St Format | St Format | Usage / Remark | |
| IMD | | | | | |
| 7077 | Item description type, coded | C an..3 | C an..3 | F Free-form | |
| 7081 | Item characteristic, coded | C an..3 | C an..3 | FIC SalesDomain | |
| C273 | ITEM DESCRIPTION | C | C | | |
| 7009 | Item description identification | C an..7 | N | Not used | |
| 1131 | Code list qualifier | C an..3 | N | Not used | |
| 3055 | Code list responsible agency, coded | C an..3 | N | Not used | |
| 7008 | Item description | C an..35 | C an..35 | SalesDomain for articles | |
| 7008 | Item description | C an..35 | N | Not used | |
| 7383 | Surface/layer indicator, coded | C an..3 | N | Not used | |

Remark:

Medium, Movie Rating, Artist, Composer

Example:

IMD+F+FIC+:::SalesDomain'

No = Consecutive segment number
 MaxOcc = Maximum occurrence of the segment/group
 Counter = Counter of segment/group within the standard

St = Status
 EDIFACT: M=Mandatory, C=Conditional
 User specific: R=Required, O=Optional, D=Dependent,
 A=Advised, N=Not used

| Counter | No | Tag | St | MaxOcc | Level | Name |
|---------|------|---------------|----|--------|-------|-----------------------------------|
| | 1120 | SG33 | C | 200000 | 2 | PIT-PIA-IMD-QTY-DTM-FTX-SG34-SG35 |
| | 1170 | 19 QTY | C | 10 | 3 | Quantity |

| Standard | | | BSH Implementation | |
|----------|------------------------|-----------|--------------------|--|
| Tag | Name | St Format | St Format | Usage / Remark |
| QTY | | | | |
| C186 | QUANTITY DETAILS | M | M | |
| 6063 | Quantity qualifier | M an..3 | M an..3 | 59 Numbers of consumer units in the traded unit |
| 6060 | Quantity | M n..15 | M n..15 | 52 Quantity per pack |
| 6411 | Measure unit qualifier | C an..3 | C an..3 | Package content PCE Piece |

Remark:

Package content, Package unit

Example:

QTY+59:9:PCE'

No = Consecutive segment number
 MaxOcc = Maximum occurrence of the segment/group
 Counter = Counter of segment/group within the standard

St = Status
 EDIFACT: M=Mandatory, C=Conditional
 User specific: R=Required, O=Optional, D=Dependent,
 A=Advised, N=Not used

| Counter | No | Tag | St | MaxOcc | Level | Name | |
|---------|------|-------------|------------|--------|-------|-----------------------------------|------------------|
| | 1120 | SG33 | C | 200000 | 2 | PIT-PIA-IMD-QTY-DTM-FTX-SG34-SG35 | |
| | 1200 | 20 | DTM | C | 10 | 3 | Date/time/period |

| Standard | | | BSH Implementation | |
|----------|-----------------------------------|-----------|--------------------|---------------------------------|
| Tag | Name | St Format | St Format | Usage / Remark |
| DTM | | | | |
| C507 | DATE/TIME/PERIOD | M | M | |
| 2005 | Date/time/period qualifier | M an..3 | M an..3 | 273 Validity period |
| 2380 | Date/time/period | C an..35 | C an..35 | Manufacturer Warranty in months |
| 2379 | Date/time/period format qualifier | C an..3 | C an..3 | 802 Month |

Remark:
Manufacturer Warranty

Example:
DTM+273:6:802'

No = Consecutive segment number
MaxOcc = Maximum occurrence of the segment/group
Counter = Counter of segment/group within the standard

St = Status
EDIFACT: M=Mandatory, C=Conditional
User specific: R=Required, O=Optional, D=Dependent,
A=Advised, N=Not used

| Counter | No | Tag | St | MaxOcc | Level | Name |
|---------|----|-------------|----|--------|-------|-----------------------------------|
| 1120 | | SG33 | C | 200000 | 2 | PIT-PIA-IMD-QTY-DTM-FTX-SG34-SG35 |
| 1200 | 21 | DTM | C | 10 | 3 | Date/time/period |

| Standard | | | BSH Implementation | |
|----------|-----------------------------------|-----------|--------------------|---|
| Tag | Name | St Format | St Format | Usage / Remark |
| DTM | | | | |
| C507 | DATE/TIME/PERIOD | M | M | |
| 2005 | Date/time/period qualifier | M an..3 | M an..3 | 44E Publishing date (Conditional for change or deletion) 45E Cancel date (Mandatory for deletion) 334 Change date (Mandatory for change) |
| 2380 | Date/time/period | C an..35 | C an..35 | Conditional for change or deletion |
| 2379 | Date/time/period format qualifier | C an..3 | C an..3 | 102 CCYYMMDD |

Remark:
Publishing date, Cancel date, Change date

Example:
DTM+44:::102'

No = Consecutive segment number
MaxOcc = Maximum occurrence of the segment/group
Counter = Counter of segment/group within the standard

St = Status
EDIFACT: M=Mandatory, C=Conditional
User specific: R=Required, O=Optional, D=Dependent,
A=Advised, N=Not used

| Counter | No | Tag | St | MaxOcc | Level | Name |
|---------|----|-------------|----|--------|-------|-----------------------------------|
| 1120 | | SG33 | C | 200000 | 2 | PIT-PIA-IMD-QTY-DTM-FTX-SG34-SG35 |
| 1200 | 22 | DTM | C | 10 | 3 | Date/time/period |

| Standard | | | BSH Implementation | |
|----------|-----------------------------------|-----------|--------------------|---|
| Tag | Name | St Format | St Format | Usage / Remark |
| DTM | | | | |
| C507 | DATE/TIME/PERIOD | M | M | |
| 2005 | Date/time/period qualifier | M an..3 | M an..3 | 199 Positioning date/time of goods |
| 2380 | Date/time/period | C an..35 | C n..2 | Conditional for change or deletion |
| 2379 | Date/time/period format qualifier | C an..3 | C an..3 | 804 Day |

Remark:
 The date and/or time the goods have to be or have been positioned (in days).

Example:
 DTM+199:17:804'

No = Consecutive segment number
 MaxOcc = Maximum occurrence of the segment/group
 Counter = Counter of segment/group within the standard

St = Status
 EDIFACT: M=Mandatory, C=Conditional
 User specific: R=Required, O=Optional, D=Dependent,
 A=Advised, N=Not used

| Counter | No | Tag | St | MaxOcc | Level | Name |
|---------|----|-------------|----|--------|-------|-----------------------------------|
| 1120 | | SG33 | C | 200000 | 2 | PIT-PIA-IMD-QTY-DTM-FTX-SG34-SG35 |
| 1210 | 23 | FTX | C | 5 | 3 | Free text |

| Standard | | | BSH Implementation | |
|----------|-------------------------------------|-----------|--------------------|--|
| Tag | Name | St Format | St Format | Usage / Remark |
| FTX | | | | |
| 4451 | Text subject qualifier | M an..3 | M an..3 | LIN Line item AAI General information (Manufacturer number) |
| 4453 | Text function, coded | C an..3 | N | Not used |
| C107 | TEXT REFERENCE | C | N | Not used |
| 4441 | Free text, coded | M an..3 | N | Not used |
| 1131 | Code list qualifier | C an..3 | N | Not used |
| 3055 | Code list responsible agency, coded | C an..3 | N | Not used |
| C108 | TEXT LITERAL | C | C | |
| 4440 | Free text | M an..70 | M an..70 | Net Price Indicator or number of Manufacturer Net Price Indicator: 0 = No, 1 = yes; Conditional for UE articles when deleted Manufacturer Number: 654321 |
| 4440 | Free text | C an..70 | N | Not used |
| 4440 | Free text | C an..70 | N | Not used |
| 4440 | Free text | C an..70 | N | Not used |
| 3453 | Language, coded | C an..3 | N | Not used |

Remark:

Net Price Indicator

Example:

FTX+LIN+++0'

No = Consecutive segment number
 MaxOcc = Maximum occurrence of the segment/group
 Counter = Counter of segment/group within the standard

St = Status
 EDIFACT: M=Mandatory, C=Conditional
 User specific: R=Required, O=Optional, D=Dependent,
 A=Advised, N=Not used

| Counter | No | Tag | St | MaxOcc | Level | Name |
|---------|------|-------------|----|--------|-------|-----------------------------------|
| | 1120 | SG33 | C | 200000 | 2 | PIT-PIA-IMD-QTY-DTM-FTX-SG34-SG35 |
| | 1210 | FTX | C | 5 | 3 | Free text |

| Standard | | | BSH Implementation | |
|----------|-------------------------------------|-----------|--------------------|---|
| Tag | Name | St Format | St Format | Usage / Remark |
| FTX | | | | |
| 4451 | Text subject qualifier | M an..3 | M an..3 | HAZ Hazard information |
| 4453 | Text function, coded | C an..3 | C an..3 | 1 Text for subsequent use |
| C107 | TEXT REFERENCE | C | C | |
| 4441 | Free text, coded | M an..3 | M an..3 | |
| 1131 | Code list qualifier | C an..3 | N | Not used |
| 3055 | Code list responsible agency, coded | C an..3 | C an..3 | 86 Assigned by party originating the message |
| C108 | TEXT LITERAL | C | C | |
| 4440 | Free text | M an..70 | M an..70 | All five elements could be used for HAZ code |
| 4440 | Free text | C an..70 | C an..70 | All five elements could be used for HAZ code |
| 4440 | Free text | C an..70 | C an..70 | All five elements could be used for HAZ code |
| 4440 | Free text | C an..70 | C an..70 | All five elements could be used for HAZ code |
| 4440 | Free text | C an..70 | C an..70 | All five elements could be used for HAZ code |
| 3453 | Language, coded | C an..3 | N | Not used |

Remark:
Net Price Indicator

Example:
FTX+HAZ+1+:::86+0::::X'

No = Consecutive segment number
MaxOcc = Maximum occurrence of the segment/group
Counter = Counter of segment/group within the standard

St = Status
EDIFACT: M=Mandatory, C=Conditional
User specific: R=Required, O=Optional, D=Dependent,
A=Advised, N=Not used

| Counter | No | Tag | St | MaxOcc | Level | Name |
|---------|----|-------------|----|--------|-------|----------------------|
| 1220 | | SG34 | C | 5 | 3 | TAX-MOA |
| 1230 | 25 | TAX | M | 1 | 3 | Duty/tax/fee details |

| | | Standard | BSH Implementation | | |
|------|---|-----------|--------------------|--|--|
| Tag | Name | St Format | St Format | Usage / Remark | |
| TAX | | | | | |
| 5283 | Duty/tax/fee function qualifier | M an..3 | M an..3 | 7 Tax | |
| C241 | DUTY/TAX/FEE TYPE | C | C | | |
| 5153 | Duty/tax/fee type, coded | C an..3 | C an..3 | Tax rate code VAT Value added tax | |
| 1131 | Code list qualifier | C an..3 | N | Not used | |
| 3055 | Code list responsible agency, coded | C an..3 | N | Not used | |
| 5152 | Duty/tax/fee type | C an..35 | N | Not used | |
| C533 | DUTY/TAX/FEE ACCOUNT DETAIL | C | N | | |
| 5289 | Duty/tax/fee account identification | M an..6 | N | Not used | |
| 1131 | Code list qualifier | C an..3 | N | Not used | |
| 3055 | Code list responsible agency, coded | C an..3 | N | Not used | |
| 5286 | Duty/tax/fee assessment basis | C an..15 | C an..15 | Tax | |
| C243 | DUTY/TAX/FEE DETAIL | C | C | | |
| 5279 | Duty/tax/fee rate identification | C an..7 | N | Not used | |
| 1131 | Code list qualifier | C an..3 | N | Not used | |
| 3055 | Code list responsible agency, coded | C an..3 | C an..3 | 92 Assigned by buyer or buyer's agent | |
| 5278 | Duty/tax/fee rate | C an..17 | C an..17 | Tax key | |
| 5273 | Duty/tax/fee rate basis identification | C an..12 | N | Not used | |
| 1131 | Code list qualifier | C an..3 | N | Not used | |
| 3055 | Code list responsible agency, coded | C an..3 | N | Not used | |
| 5305 | Duty/tax/fee category, coded | C an..3 | N | Not used | |
| 3446 | Party tax identification number | C an..20 | N | Not used | |

Remark:

Value added tax

Example:

TAX+7+VAT+++::92:1'

No = Consecutive segment number
 MaxOcc = Maximum occurrence of the segment/group
 Counter = Counter of segment/group within the standard

St = Status
 EDIFACT: M=Mandatory, C=Conditional
 User specific: R=Required, O=Optional, D=Dependent,
 A=Advised, N=Not used

| Counter | No | Tag | St | MaxOcc | Level | Name | |
|---------|------|-------------|------------|--------|-------|---------|-----------------|
| | 1220 | SG34 | C | 5 | 3 | TAX-MOA | |
| | 1240 | 26 | MOA | C | 1 | 4 | Monetary amount |

| Standard | | | BSH Implementation | |
|----------|--------------------------------|-----------|--------------------|------------------------------------|
| Tag | Name | St Format | St Format | Usage / Remark |
| MOA | | | | |
| C516 | MONETARY AMOUNT | M | M | |
| 5025 | Monetary amount type qualifier | M an..3 | M an..3 | 161 Duty, tax or fee amount |
| 5004 | Monetary amount | C n..18 | C n..18 | VRG fee for CH |
| 6345 | Currency, coded | C an..3 | N | Not used |
| 6343 | Currency qualifier | C an..3 | C an..3 | 5 Account currency |
| 4405 | Status, coded | C an..3 | N | Not used |

Remark:

Tax / Duty

Example:

MOA+161:9::5'

No = Consecutive segment number
 MaxOcc = Maximum occurrence of the segment/group
 Counter = Counter of segment/group within the standard

St = Status
 EDIFACT: M=Mandatory, C=Conditional
 User specific: R=Required, O=Optional, D=Dependent,
 A=Advised, N=Not used

| Counter | No | Tag | St | MaxOcc | Level | Name |
|---------|----|-------------|----|--------|-------|-----------------------------|
| 1220 | | SG34 | C | 5 | 3 | TAX |
| 1230 | 27 | TAX | M | 1 | 3 | Duty/tax/fee details |

| | | Standard | BSH Implementation | | |
|------|---|-----------|--------------------|--|--|
| Tag | Name | St Format | St Format | Usage / Remark | |
| TAX | | | | | |
| 5283 | Duty/tax/fee function qualifier | M an..3 | M an..3 | 7 Tax | |
| C241 | DUTY/TAX/FEE TYPE | C | C | | |
| 5153 | Duty/tax/fee type, coded | C an..3 | C an..3 | Tax rate code VAT Value added tax | |
| 1131 | Code list qualifier | C an..3 | N | Not used | |
| 3055 | Code list responsible agency, coded | C an..3 | N | Not used | |
| 5152 | Duty/tax/fee type | C an..35 | N | Not used | |
| C533 | DUTY/TAX/FEE ACCOUNT DETAIL | C | N | | |
| 5289 | Duty/tax/fee account identification | M an..6 | N | Not used | |
| 1131 | Code list qualifier | C an..3 | N | Not used | |
| 3055 | Code list responsible agency, coded | C an..3 | N | Not used | |
| 5286 | Duty/tax/fee assessment basis | C an..15 | C an..15 | Tax | |
| C243 | DUTY/TAX/FEE DETAIL | C | C | | |
| 5279 | Duty/tax/fee rate identification | C an..7 | N | Not used | |
| 1131 | Code list qualifier | C an..3 | N | Not used | |
| 3055 | Code list responsible agency, coded | C an..3 | C an..3 | 91 Assigned by seller or seller's agent | |
| 5278 | Duty/tax/fee rate | C an..17 | C an..17 | Tax rate in percentage | |
| 5273 | Duty/tax/fee rate basis identification | C an..12 | N | Not used | |
| 1131 | Code list qualifier | C an..3 | N | Not used | |
| 3055 | Code list responsible agency, coded | C an..3 | N | Not used | |
| 5305 | Duty/tax/fee category, coded | C an..3 | N | Not used | |
| 3446 | Party tax identification number | C an..20 | N | Not used | |

Remark:

Value added tax

Example:

TAX+7+VAT+++::91:19'

No = Consecutive segment number
 MaxOcc = Maximum occurrence of the segment/group
 Counter = Counter of segment/group within the standard

St = Status
 EDIFACT: M=Mandatory, C=Conditional
 User specific: R=Required, O=Optional, D=Dependent,
 A=Advised, N=Not used

| Counter | No | Tag | St | MaxOcc | Level | Name | |
|---------|------|-------------|------------|--------|-------|----------------|----------------------|
| | 1250 | SG35 | C | 100 | 3 | PRI-DTM | |
| | 1260 | 28 | PRI | M | 1 | 3 | Price details |

| Standard | | | BSH Implementation | |
|----------|------------------------------|-----------|--------------------|--|
| Tag | Name | St Format | St Format | Usage / Remark |
| PRI | | | | |
| C509 | PRICE INFORMATION | C | C | |
| 5125 | Price qualifier | M an..3 | M an..3 | AAB Calculation gross |
| 5118 | Price | C n..15 | C n..15 | Sales price Conditional for UE articles when changed or deleted |
| 5375 | Price type, coded | C an..3 | N | Not used |
| 5387 | Price type qualifier | C an..3 | C an..3 | SRP Suggested retail price |
| 5284 | Unit price basis | C n..9 | N | Not used |
| 6411 | Measure unit qualifier | C an..3 | N | Not used |
| 5213 | Sub-line price change, coded | C an..3 | N | Not used |

Remark:
Sales price

Example:
PRI+AAB:::SRP'

No = Consecutive segment number
 MaxOcc = Maximum occurrence of the segment/group
 Counter = Counter of segment/group within the standard

St = Status
 EDIFACT: M=Mandatory, C=Conditional
 User specific: R=Required, O=Optional, D=Dependent,
 A=Advised, N=Not used

| Counter | No | Tag | St | MaxOcc | Level | Name |
|---------|----|-------------|----|--------|-------|-------------------------|
| 1250 | | SG35 | C | 100 | 3 | PRI-DTM |
| 1290 | 29 | DTM | C | 5 | 4 | Date/time/period |

| Standard | | | BSH Implementation | |
|----------|-----------------------------------|-----------|--------------------|---|
| Tag | Name | St Format | St Format | Usage / Remark |
| DTM | | | | |
| C507 | DATE/TIME/PERIOD | M | M | |
| 2005 | Date/time/period qualifier | M an..3 | M an..3 | 194 Start date/time |
| 2380 | Date/time/period | C an..35 | C an..35 | Conditional for UE articles when changed or deleted; must be send with Sales price |
| 2379 | Date/time/period format qualifier | C an..3 | C an..3 | 102 CCYYMMDD |

Remark:
Sales price from

Example:
DTM+194:6:102'

No = Consecutive segment number
MaxOcc = Maximum occurrence of the segment/group
Counter = Counter of segment/group within the standard

St = Status
EDIFACT: M=Mandatory, C=Conditional
User specific: R=Required, O=Optional, D=Dependent,
A=Advised, N=Not used

| Counter | No | Tag | St | MaxOcc | Level | Name |
|---------|----|-------------|----|--------|-------|------------------|
| 1250 | | SG35 | C | 100 | 3 | PRI-DTM |
| 1290 | 30 | DTM | C | 5 | 4 | Date/time/period |

| Standard | | | BSH Implementation | | |
|----------|-----------------------------------|-----------|--------------------|---|--|
| Tag | Name | St Format | St Format | Usage / Remark | |
| DTM | | | | | |
| C507 | DATE/TIME/PERIOD | M | M | | |
| 2005 | Date/time/period qualifier | M an..3 | M an..3 | 206 End date/time | |
| 2380 | Date/time/period | C an..35 | C an..35 | Conditional for UE articles when changed or deleted; must be send with Sales price | |
| 2379 | Date/time/period format qualifier | C an..3 | C an..3 | 102 CCYYMMDD | |

Remark:

Sales price until

Example:

DTM+206:6:102'

No = Consecutive segment number
 MaxOcc = Maximum occurrence of the segment/group
 Counter = Counter of segment/group within the standard

St = Status
 EDIFACT: M=Mandatory, C=Conditional
 User specific: R=Required, O=Optional, D=Dependent,
 A=Advised, N=Not used

| Counter | No | Tag | St | MaxOcc | Level | Name |
|---------|------|-------------|----|--------|-------|---------------|
| | 1250 | SG35 | C | 100 | 3 | PRI-DTM |
| | 1260 | PRI | M | 1 | 3 | Price details |

| Standard | | | BSH Implementation | |
|----------|------------------------------|-----------|--------------------|---|
| Tag | Name | St Format | St Format | Usage / Remark |
| PRI | | | | |
| C509 | PRICE INFORMATION | C | C | |
| 5125 | Price qualifier | M an..3 | M an..3 | AAA Calculation net |
| 5118 | Price | C n..15 | C n..15 | Purchases price Conditional for UE articles when deleted |
| 5375 | Price type, coded | C an..3 | N | Not used |
| 5387 | Price type qualifier | C an..3 | C an..3 | DR Dealer price |
| 5284 | Unit price basis | C n..9 | N | Not used |
| 6411 | Measure unit qualifier | C an..3 | N | Not used |
| 5213 | Sub-line price change, coded | C an..3 | N | Not used |

Remark:

Purchase price

Example:

PRI+AAA:::DR'

No = Consecutive segment number
 MaxOcc = Maximum occurrence of the segment/group
 Counter = Counter of segment/group within the standard

St = Status
 EDIFACT: M=Mandatory, C=Conditional
 User specific: R=Required, O=Optional, D=Dependent,
 A=Advised, N=Not used

| Counter | No | Tag | St | MaxOcc | Level | Name |
|---------|------|-------------|----|--------|-------|------------------|
| | 1250 | SG35 | C | 100 | 3 | PRI-DTM |
| | 1290 | DTM | C | 5 | 4 | Date/time/period |

| Standard | | | BSH Implementation | | |
|----------|-----------------------------------|-----------|--------------------|----------------|---|
| Tag | Name | St Format | St Format | Usage / Remark | |
| DTM | | | | | |
| C507 | DATE/TIME/PERIOD | M | M | | |
| 2005 | Date/time/period qualifier | M an..3 | M an..3 | | 152 Start date |
| 2380 | Date/time/period | C an..35 | C an..35 | | Conditional for UE articles when deleted; must be send with Purchase price |
| 2379 | Date/time/period format qualifier | C an..3 | C an..3 | | 102 CCYYMMDD |

Remark:

Purchase price from

Example:

DTM+273:6:102'

No = Consecutive segment number
 MaxOcc = Maximum occurrence of the segment/group
 Counter = Counter of segment/group within the standard

St = Status
 EDIFACT: M=Mandatory, C=Conditional
 User specific: R=Required, O=Optional, D=Dependent,
 A=Advised, N=Not used

| Counter | No | Tag | St | MaxOcc | Level | Name |
|---------|----|-------------|----|--------|-------|-------------------------|
| 1250 | | SG35 | C | 100 | 3 | PRI-DTM |
| 1290 | 33 | DTM | C | 5 | 4 | Date/time/period |

| Standard | | | BSH Implementation | | |
|----------|-----------------------------------|-----------|--------------------|---|--|
| Tag | Name | St Format | St Format | Usage / Remark | |
| DTM | | | | | |
| C507 | DATE/TIME/PERIOD | M | M | | |
| 2005 | Date/time/period qualifier | M an..3 | M an..3 | 266 End date | |
| 2380 | Date/time/period | C an..35 | C an..35 | Conditional for UE articles when deleted; must be send with Purchase price | |
| 2379 | Date/time/period format qualifier | C an..3 | C an..3 | 102 CCYMMDD | |

Remark:

Purchase price until

Example:

DTM+273:6:102'

No = Consecutive segment number
 MaxOcc = Maximum occurrence of the segment/group
 Counter = Counter of segment/group within the standard

St = Status
 EDIFACT: M=Mandatory, C=Conditional
 User specific: R=Required, O=Optional, D=Dependent,
 A=Advised, N=Not used

| Counter | No | Tag | St | MaxOcc | Level | Name | |
|---------|------|-------------|------------|--------|-------|----------------|----------------------|
| | 1250 | SG35 | C | 100 | 3 | PRI-DTM | |
| | 1260 | 34 | PRI | M | 1 | 3 | Price details |

| Standard | | | BSH Implementation | |
|----------|------------------------------|-----------|--------------------|---|
| Tag | Name | St Format | St Format | Usage / Remark |
| PRI | | | | |
| C509 | PRICE INFORMATION | C | C | |
| 5125 | Price qualifier | M an..3 | M an..3 | INF Information |
| 5118 | Price | C n..15 | C an..13 | Price code Conditional for TT articles when changed or deleted |
| 5375 | Price type, coded | C an..3 | N | Not used |
| 5387 | Price type qualifier | C an..3 | C an..3 | GOD Price code |
| 5284 | Unit price basis | C n..9 | N | Not used |
| 6411 | Measure unit qualifier | C an..3 | N | Not used |
| 5213 | Sub-line price change, coded | C an..3 | N | Not used |

Remark:
Price code

Example:
PRI+INF:1::COD'

No = Consecutive segment number
 MaxOcc = Maximum occurrence of the segment/group
 Counter = Counter of segment/group within the standard

St = Status
 EDIFACT: M=Mandatory, C=Conditional
 User specific: R=Required, O=Optional, D=Dependent,
 A=Advised, N=Not used

| Counter | No | Tag | St | MaxOcc | Level | Name |
|---------|------|-------------|----|--------|-------|-------------------------|
| | 1250 | SG35 | C | 100 | 3 | PRI-DTM |
| | 1290 | DTM | C | 5 | 4 | Date/time/period |

| Standard | | | BSH Implementation | |
|----------|-----------------------------------|-----------|--------------------|--|
| Tag | Name | St Format | St Format | Usage / Remark |
| DTM | | | | |
| C507 | DATE/TIME/PERIOD | M | M | |
| 2005 | Date/time/period qualifier | M an..3 | M an..3 | 15 Promotion start date/time |
| 2380 | Date/time/period | C an..35 | C an..35 | Conditional for TT articles when changed or deleted; must be sent with price code. |
| 2379 | Date/time/period format qualifier | C an..3 | C an..3 | 102 CCYYMMDD |

Remark:
Price code from

Example:
DTM+15:9:102'

No = Consecutive segment number
MaxOcc = Maximum occurrence of the segment/group
Counter = Counter of segment/group within the standard

St = Status
EDIFACT: M=Mandatory, C=Conditional
User specific: R=Required, O=Optional, D=Dependent,
A=Advised, N=Not used

| Counter | No | Tag | St | MaxOcc | Level | Name |
|---------|------|-------------|----|--------|-------|------------------|
| | 1250 | SG35 | C | 100 | 3 | PRI-DTM |
| | 1290 | DTM | C | 5 | 4 | Date/time/period |

| Standard | | | BSH Implementation | | |
|----------|-----------------------------------|-----------|--------------------|--|--|
| Tag | Name | St Format | St Format | Usage / Remark | |
| DTM | | | | | |
| C507 | DATE/TIME/PERIOD | M | M | | |
| 2005 | Date/time/period qualifier | M an..3 | M an..3 | 16 Promotion end date/time | |
| 2380 | Date/time/period | C an..35 | C an..35 | Conditional for TT articles when changed or deleted; must be sent with price code. | |
| 2379 | Date/time/period format qualifier | C an..3 | C an..3 | 102 CCYYMMDD | |

Remark:

Price code until

Example:

DTM+16:9:102'

No = Consecutive segment number
 MaxOcc = Maximum occurrence of the segment/group
 Counter = Counter of segment/group within the standard

St = Status
 EDIFACT: M=Mandatory, C=Conditional
 User specific: R=Required, O=Optional, D=Dependent,
 A=Advised, N=Not used

| Counter | No | Tag | St | MaxOcc | Level | Name |
|---------|----|------------|----|--------|-------|-----------------|
| 1660 | 37 | UNT | M | 1 | 0 | Message trailer |

| Standard | | | BSH Implementation | |
|----------|---------------------------------|-----------|--------------------|--|
| Tag | Name | St Format | St Format | Usage / Remark |
| UNT | | | | |
| 0074 | Number of segments in a message | M n..6 | M n..6 | |
| 0062 | Message reference number | M an..14 | M an..14 | The message reference number listed here should be equal to the DE 0062 in the UNH-Segment |

Remark:

.NutzungEN End of message

Example:

UNT+30+X'

No = Consecutive segment number
 MaxOcc = Maximum occurrence of the segment/group
 Counter = Counter of segment/group within the standard

St = Status
 EDIFACT: M=Mandatory, C=Conditional
 User specific: R=Required, O=Optional, D=Dependent,
 A=Advised, N=Not used

| Counter | No | Tag | St | MaxOcc | Level | Name |
|---------|----|------------|----|--------|-------|---------------------|
| 0000 | 38 | UNZ | M | 1 | 0 | INTERCHANGE TRAILER |

| Standard | | | BSH Implementation | |
|----------|-------------------------------|-----------|--------------------|---|
| Tag | Name | St Format | St Format | Usage / Remark |
| UNZ | | | | |
| 0036 | Interchange control count | M n..6 | M n..6 | Number of messages or functional groups within an interchange |
| 0020 | Interchange control reference | M an..14 | M an..14 | Identical to DE 0020 in UNB segment |

Remark:

End of interchange

Example:

UNZ+1+X'

No = Consecutive segment number
 MaxOcc = Maximum occurrence of the segment/group
 Counter = Counter of segment/group within the standard

St = Status
 EDIFACT: M=Mandatory, C=Conditional
 User specific: R=Required, O=Optional, D=Dependent,
 A=Advised, N=Not used

Example Message

| No | Tag | Example |
|-------------|-----|--|
| 01 | UNA | UNA:+. ? ' |
| 02 | UNB | UNB+UNOC:3+X:14+X:14:DE_20+130425:1042+X+++++1' |
| 03 | UNH | UNH+X+PRICAT:D:93A:UN:X' |
| 04 | BGM | BGM+9+X' |
| 05 | DTM | DTM+137:20130520:102' |
| SG2 | | |
| 06 | NAD | NAD+SU+X::9' |
| SG6 | | |
| 07 | CUX | CUX+2:EUR:8' |
| SG16 | | |
| 08 | PGI | PGI+3' |
| SG25 | | |
| 09 | NAD | NAD+SU+123456789::91' |
| SG33 | | |
| 10 | PIT | PIT+9+1' |
| 11 | PIA | PIA+5+X:EN::9+X:BP::92+X:SA::91+123:CG::91+abc:CG::91' |
| 12 | PIA | PIA+1+X:BP::9' |
| 13 | PIA | PIA+1+12345678:GAT::9+11223344:GAV::9' |
| 14 | PIA | PIA+5+12345678:MF::90+X::90' |
| 15 | IMD | IMD+F+ANM+:::Article description' |
| 16 | IMD | IMD+F+35+:::Article description' |
| 17 | IMD | IMD+F+35+:::Article description' |
| 18 | IMD | IMD+F+FIC+:::SalesDomain' |
| 19 | QTY | QTY+59:9:PCE' |
| 20 | DTM | DTM+273:6:802' |
| 21 | DTM | DTM+44::102' |
| 22 | DTM | DTM+199:17:804' |
| 23 | FTX | FTX+LIN+++0' |
| 24 | FTX | FTX+HAZ+1+::86+0:::X' |
| SG34 | | |
| 25 | TAX | TAX+7+VAT+++::92:1' |
| 26 | MOA | MOA+161:9::5' |
| SG34 | | |
| 27 | TAX | TAX+7+VAT+++::91:19' |
| SG35 | | |
| 28 | PRI | PRI+AAB:::SRP' |
| 29 | DTM | DTM+194:6:102' |
| 30 | DTM | DTM+206:6:102' |
| SG35 | | |
| 31 | PRI | PRI+AAA:::DR' |
| 32 | DTM | DTM+273:6:102' |

No = Consecutive segment number

| No | Tag | Example |
|----|-------------|-----------------|
| 33 | DTM | DTM+273:6:102' |
| | SG35 | |
| 34 | PRI | PRI+INF:1::COD' |
| 35 | DTM | DTM+15:9:102' |
| 36 | DTM | DTM+16:9:102' |
| 37 | UNT | UNT+30+X' |
| 38 | UNZ | UNZ+1+X' |

No = Consecutive segment number